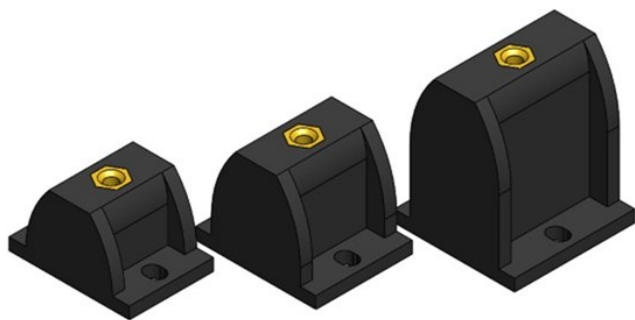
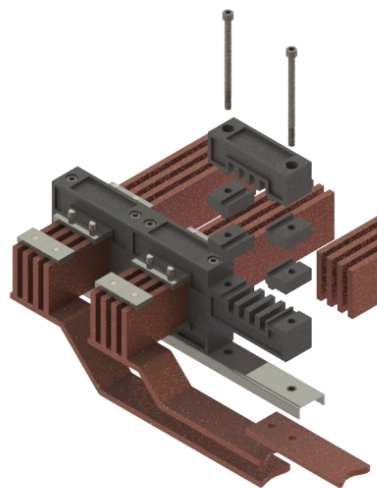
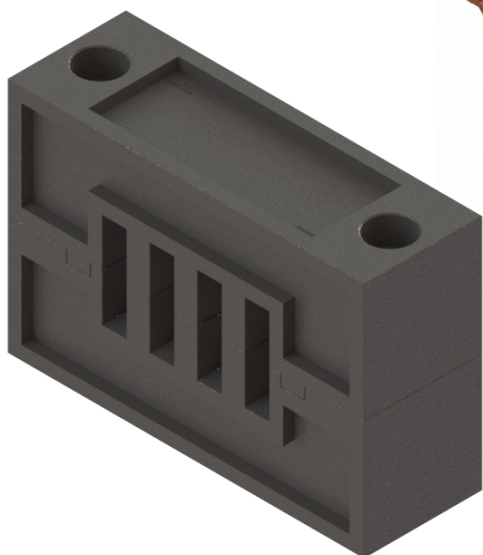
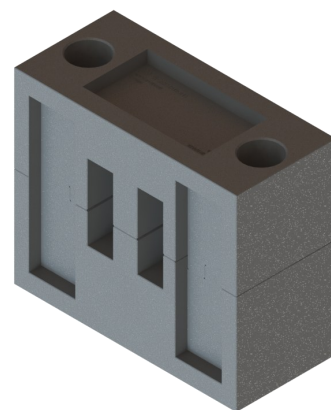
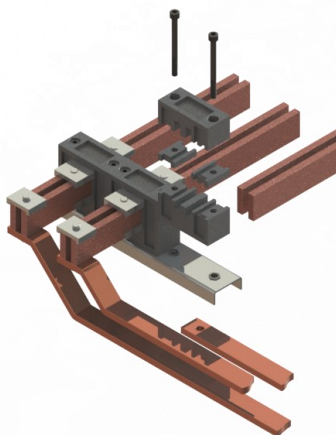
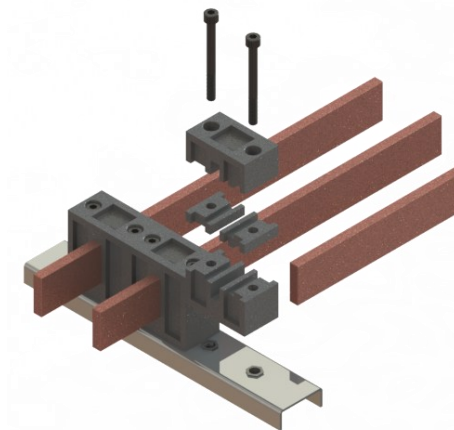
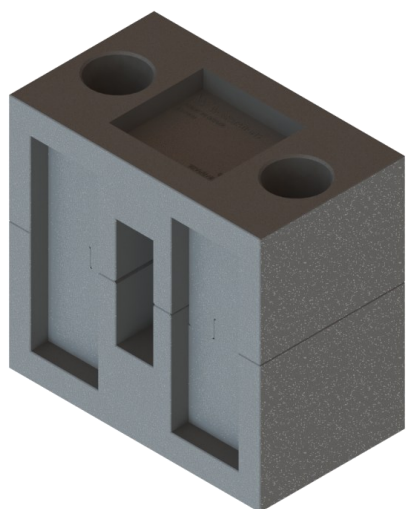


BUSBAR SUPPORT UNIPOL



Busbar Support Unipol LV1000

Rated operating voltage U^e : 690V

Rated insulation voltage U^i : 1000V

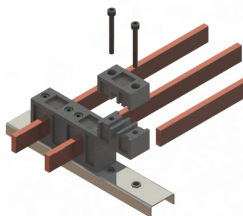
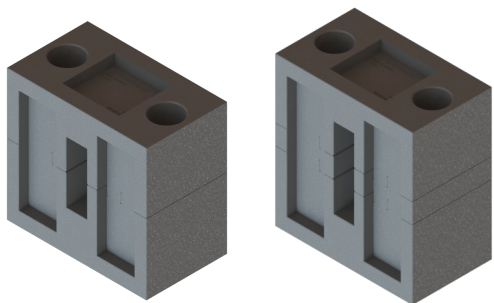
Rated impulse voltage U^{imp} : 12KV

Busbar thickness : 10mm

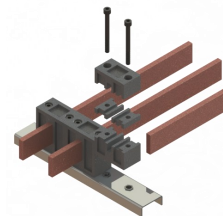
Busbar width : 30 / 40 / 50 / 60mm

Material Properties : Polyamide injection moulded PA66_GFV0 Black Ral9011.

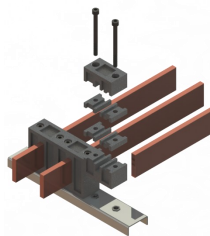
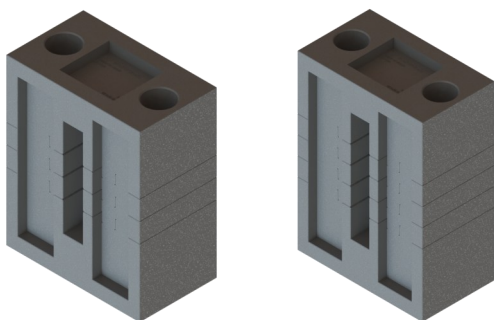
Thermal stability up to 125°C and self extinguishing according to IEC 60068-2-2 and IEC 6695-2-10.



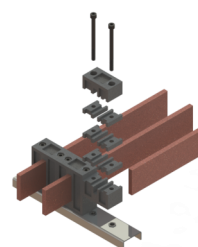
CODE
W1300



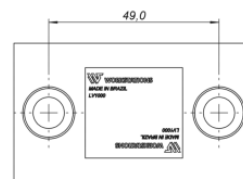
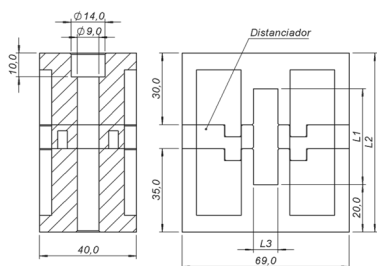
CODE
W1402



CODE
W1504



CODE
W1606



CODE	DESCRIPTION	01 OR 02 NON-INSULATED BUSBAR	L1	L2	L3	FINISHING	SPACER	FASTENING
W1300	Busbar Support Polyamide Unipol LV1000	30,2x10,2mm	30,2	65,0	10,2	RAL9011	-	Allen Bolt M8x70,0mm
W1402	Spacer Kit for Busbar Unipol - 01 or 2 copper bar 40x10,2mm	40,2x10,2mm	40,2	75,0	10,2	RAL9011	2x	Allen Bolt M8x80,0mm
W1504	Spacer Kit for Busbar Unipol - 01 or 2 copper bar 50x10,2mm	50,2x10,2mm	50,2	85,0	10,2	RAL9011	4x	Allen Bolt M8x90,0mm
W1606	Spacer Kit for Busbar Unipol - 01 or 2 copper bar 60x10,2mm	60,2x10,2mm	60,2	95,0	10,2	RAL9011	6x	Allen Bolt M8x100,0mm

CODE	DESCRIPTION	01 OR 02 INSULATED BUSBAR	L1	L2	L3	FINISHING	SPACER	FASTENING
W1300IB	Busbar Support Polyamide Unipol LV1000	33,2x13,2mm	33,2	65,0	13,2	RAL9011	-	Allen Bolt M8x70,0mm
W1402IB	Spacer Kit for Busbar Unipol - 01 cor 2 opper bar 40x13,2mm	43,2x13,2mm	43,2	75,0	13,2	RAL9011	2x	Allen Bolt M8x80,0mm
W1504IB	Spacer Kit for Busbar Unipol - 01 or 2 copper bar 50x13,2mm	53,2x13,2mm	53,2	85,0	13,2	RAL9011	4x	Allen Bolt M8x90,0mm
W1606IB	Spacer Kit for Busbar Unipol - 01 or 2 copper bar 60x13,2mm	63,2x13,2mm	63,2	95,0	13,2	RAL9011	6x	Allen Bolt M8x100,0mm

Busbar Support Unipol LV2000

Rated operating voltage U^e : 690V

Rated insulation voltage U^i : 1000V

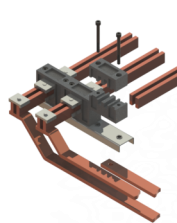
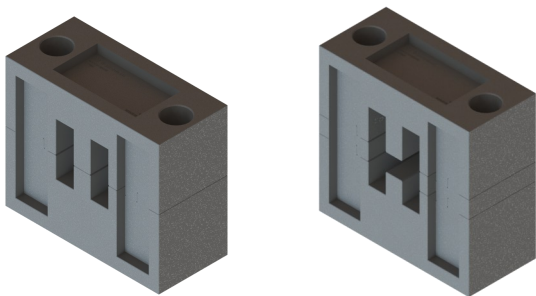
Rated impulse voltage U^{imp} : 12KV

Busbar thickness : 10mm

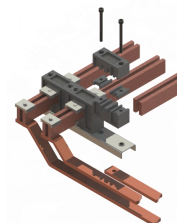
Busbar width : 30 / 40 / 50 / 60mm

Material Properties : Polyamide injection moulded PA66_GFV0 Black Ral9011.

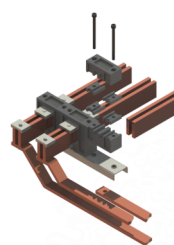
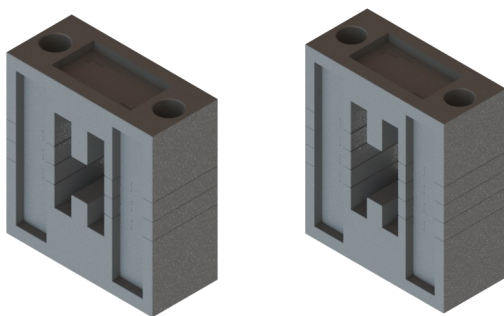
Thermal stability up to 125°C and self extinguishing according to IEC 60068-2-2 and IEC 6695-2-10.



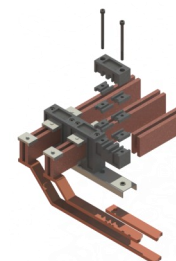
CODE
W2300



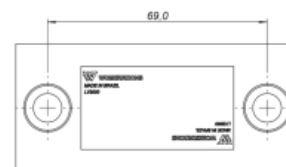
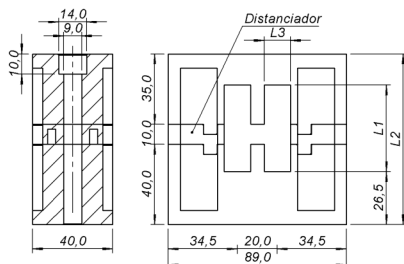
CODE
W2402



CODE
W2504



CODE
W2606



CODE	DESCRIPTION	01 OR 02 NON-INSULATED BUSBAR	L1	L2	L3	FINISHING	SPACER	FASTENING
W2300	Busbar Support Polyamide Unipol LV2000	30,2x10,2mm	30,2	65,0	10,2	RAL9011	-	Allen Bolt M8x80,0mm
W2402	Spacer Kit for Busbar Unipol - 01 or 2 copper bar 40x10,2mm	40,2x10,2mm	40,2	75,0	10,2	RAL9011	2x	Allen Bolt M8x90,0mm
W2504	Spacer Kit for Busbar Unipol - 01 or 2 copper bar 50x10,2mm	50,2x10,2mm	50,2	85,0	10,2	RAL9011	4x	Allen Bolt M8x100,0mm
W2606	Spacer Kit for Busbar Unipol - 01 or 2 copper bar 60x10,2mm	60,2x10,2mm	60,2	95,0	10,2	RAL9011	6x	Allen Bolt M8x110,0mm

CODE	DESCRIPTION	01 OR 02 INSULATED BUSBAR	L1	L2	L3	FINISHING	SPACER	FASTENING
W2300IB	Busbar Support Polyamide Unipol LV2000	33,2x13,2mm	33,2	65,0	13,2	RAL9011	-	Allen Bolt M8x70,0mm
W2402IB	Spacer Kit for Busbar Unipol - 01 cor 2 copper bar 40x13,2mm	43,2x13,2mm	43,2	75,0	13,2	RAL9011	2x	Allen Bolt M8x80,0mm
W2504IB	Spacer Kit for Busbar Unipol - 01 or 2 copper bar 50x13,2mm	53,2x13,2mm	53,2	85,0	13,2	RAL9011	4x	Allen Bolt M8x90,0mm
W2606IB	Spacer Kit for Busbar Unipol - 01 or 2 copper bar 60x13,2mm	63,2x13,2mm	63,2	95,0	13,2	RAL9011	6x	Allen Bolt M8x100,0mm

Busbar Support Unipol LV6300

Rated operating voltage U^e : 690V

Rated insulation voltage U^i : 1000V

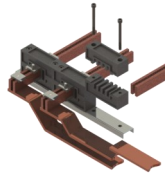
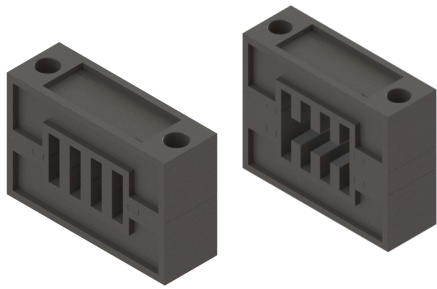
Rated impulse voltage U^{imp} : 12KV

Busbar thickness : 10mm

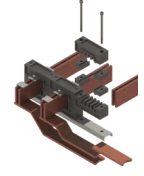
Busbar width : 40 / 60 / 80 / 100 / 120mm

Material Properties: Material Properties : Polyamide injection moulded PA66_GFV0 Black Ral9011.

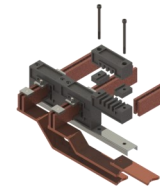
Thermal stability up to 125°C and self extinguishing according to IEC 60068-2-2 and IEC 6695-2-10.



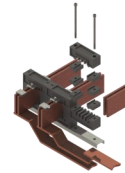
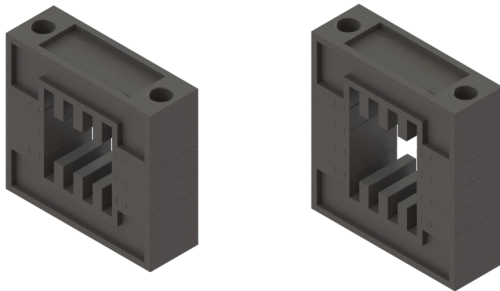
CODE
W4400



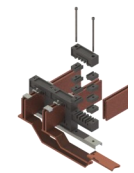
CODE
W4804



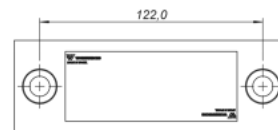
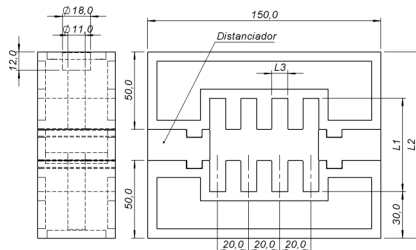
CODE
W4602



CODE
W41006



CODE
W41208



CODE	DESCRIPTION	02 OR 04 NON-INSULATED BUSBAR	L1	L2	L3	FINISHING	SPACER	FASTENING
W4400	Busbar Support Polyamide Unipol LV6300	40,2x10,2mm	40,2	100,0	10,2	RAL9011	-	Allen Bolt M10x110,0mm
W4602	Spacer kit for Busbar Unipol 60x10,2mm	60,2x10,2mm	60,2	120,0	10,2	RAL9011	2x	Allen Bolt M10x130,0mm
W4804	Spacer kit for Busbar Unipol 80x10,2mm	80,2x10,2mm	80,2	140,0	10,2	RAL9011	4x	Allen Bolt M10x150,0mm
W41006	Spacer kit for Busbar Unipol 100x10,2mm	100,2x10,2mm	100,2	160,0	10,2	RAL9011	6x	Allen Bolt M10x180,0mm
W41208	Spacer kit for Busbar Unipol 120x10,2mm	120,2x10,2mm	120,2	180,0	10,2	RAL9011	8x	Allen Bolt M10x200,0mm

CODE	DESCRIPTION	02 OR 04 INSULATED BUSBAR	L1	L2	L3	FINISHING	SPACER	FASTENING
W4400IB	Busbar Support Polyamide Unipol LV6300	40,2x13,2mm	43,2	100,0	13,2	RAL9011	-	Allen Bolt M10x110,0mm
W4602IB	Spacer kit for Busbar Unipol 60x13,2mm	60,2x13,2mm	63,2	120,0	13,2	RAL9011	2x	Allen Bolt M10x130,0mm
W4804IB	Spacer kit for Busbar Unipol 80x13,2mm	80,2x13,mm	83,2	140,0	13,2	RAL9011	4x	Allen Bolt M10x150,0mm
W41006IB	Spacer kit for Busbar Unipol 100x13,2mm	100,2x13,2mm	103,2	160,0	13,2	RAL9011	6x	Allen Bolt M10x180,0mm
W41208IB	Spacer kit for Busbar Unipol 120x13,2mm	120,2x13,2mm	123,2	180,0	13,2	RAL9011	8x	Allen Bolt M10x200,0mm

Busbar Support Unipol LV30-40-60

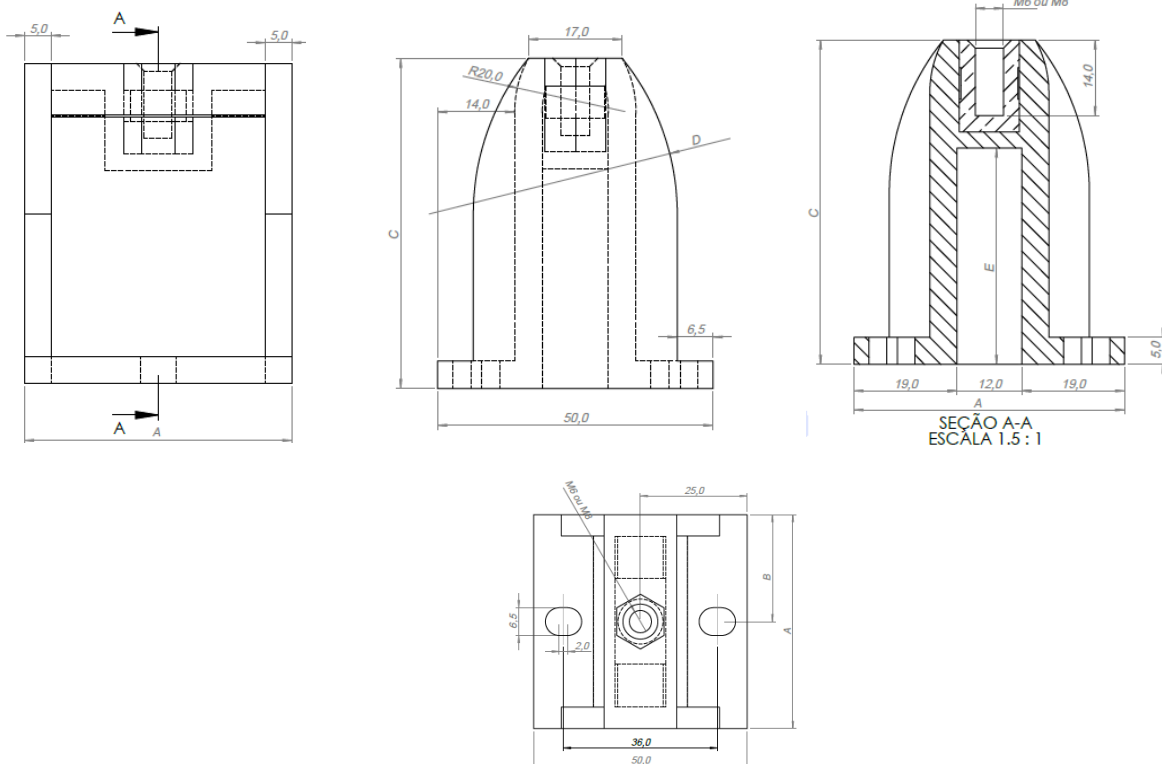
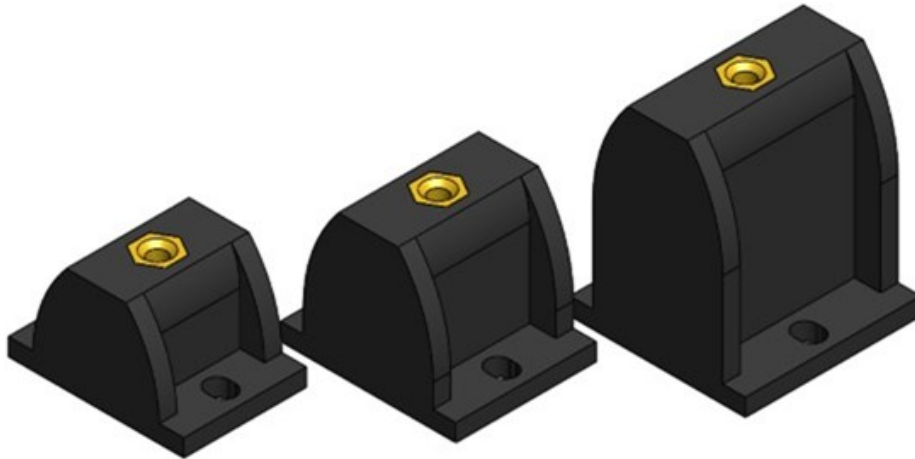
Rated operating voltage U^e : 690V

Rated insulation voltage U^i : 1000V

Rated impulse voltage U^{imp} : 12KV

Material Properties: Polyamide injection moulded PA66_GFV0 Black Ral9011.

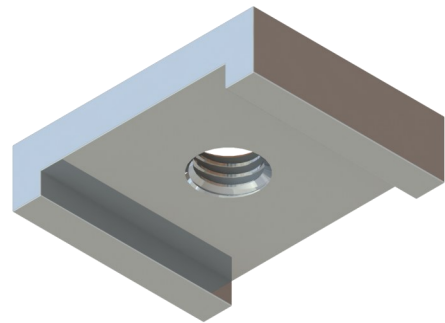
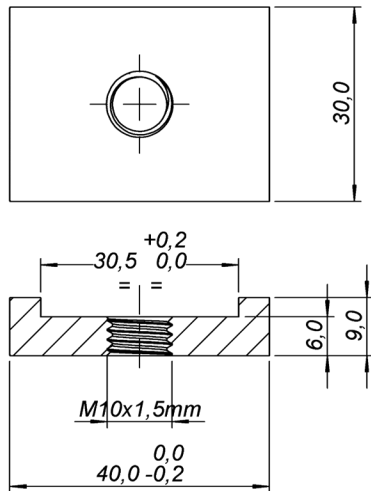
Thermal stability up to 125°C and self extinguishing according to IEC 60068-2-2 and IEC 6695-2-10.



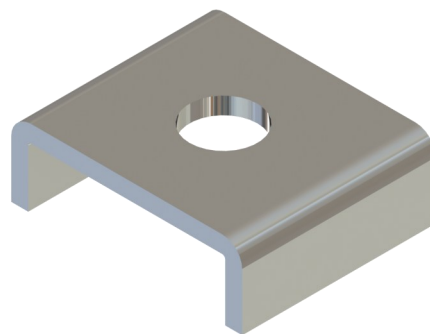
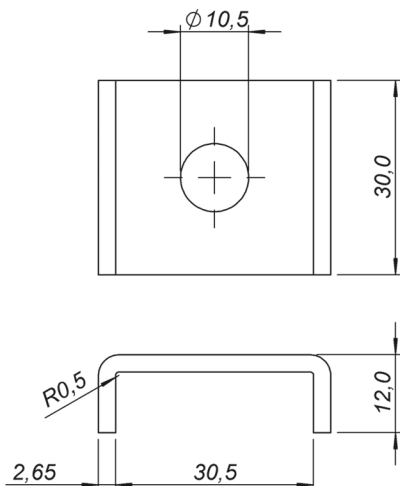
CODE	DESCRIPTION	A	B	C	D	E	MATERIAL	FINISHING
W5306	Busbar Support Unipol LV 30 with M6 insert	35,00	17,50	30,00	R40,00	10,00	PA66_GFV0	RAL9011
W5308	Busbar Support Unipol LV 30 with M8 insert	35,00	17,50	30,00	R40,00	10,00	PA66_GFV0	RAL9011
W5406	Busbar Support Unipol LV 40 with M6 insert	40,00	20,00	40,00	R45,00	20,00	PA66_GFV0	RAL9011
W5408	Busbar Support Unipol LV 40 with M8 insert	40,00	20,00	40,00	R45,00	20,00	PA66_GFV0	RAL9011
W5606	Busbar Support Unipol LV 60 with M6 insert	50,00	25,00	60,00	R45,00	40,00	PA66_GFV0	RAL9011
W5608	Busbar Support Unipol LV 60 with M8 insert	50,00	25,00	60,00	R45,00	40,00	PA66_GFV0	RAL9011

Busbar Locking Mounting Accessories

CODE	DESCRIPTION	Finishing
W62010	Rectangular Nut M10 for busbar	white zinc



CODE	DESCRIPTION	Finishing
W62000	Rectangular Washer M10 for busbar	white zinc



Johannes-Kepler-Straße 8
54634 Bitburg; Germany
Mobil.: +49 (0) 6561/94827-17
E-Mail: info@ids-tech.de
Web: www.ids-tech.de

Manufacturing and Headquarters Adress
*120 Jose Giorgi Ave, B Shed, G. Viana II
Cotia, SP, 06707-100, Brazil*

Phones

+55 11 4148-7188

+55 11 4092-3600

www.workstations.ind.br

